

- Miniature incremental encoder, Ø 28mm
- Robust metal housing
- Resolution up to 2048 pulses/rev.
- For office equipment, electromedical and light industrial applications



I28

ENVIRONMENTAL SPECIFICATIONS

Shock:	250 g, 6 ms acc. to CEI EN 60068-2-27
Vibrations:	10 g, 5-2000 Hz acc. to CEI EN 60068-2-6
Protection:	IP54
Operating temperature range:	-25°C +85°C (-13°F +185°F)
Storage temperature range:	-25°C +85°C (-13°F +185°F) (98% R.H. without condensation)

MECHANICAL SPECIFICATIONS

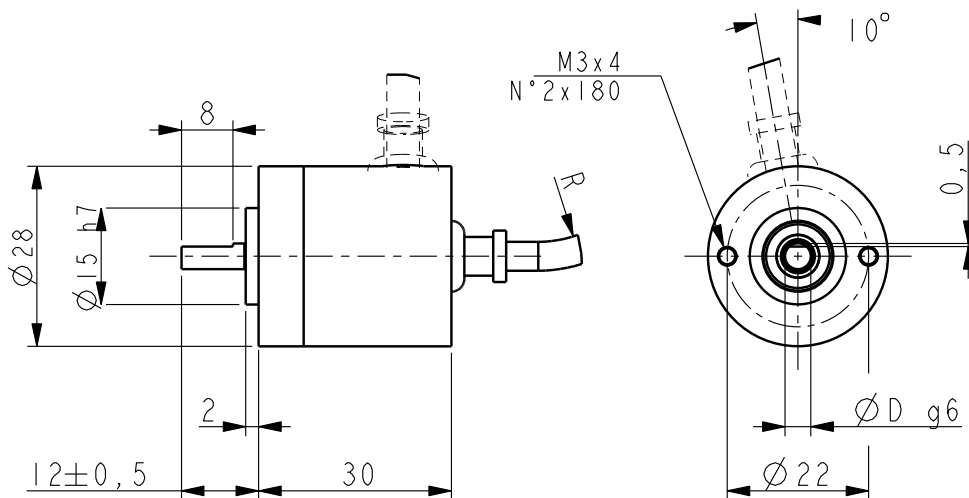
Dimensions:	see drawing
Shaft diameter:	Ø 4, 5 mm
Shaft loading (axial, radial):	20 N max.
Shaft rotational speed:	3000 rpm max.
Starting torque (at 20°C):	0,1 Ncm (typical)
Bearings life:	10 ⁹ rev. min.
Electrical connections:	cable output 1 m (3.3 ft)
Weight:	~ 50 g (1,7 oz)
Option:	<ul style="list-style-type: none"> • additional cable • M12 plug

ELECTRICAL SPECIFICATIONS

Resolution (PPR):	250-256-360-500-512-720-1000-1024-1440-2000-2048
Counting frequency:	100 kHz max.
Output circuits:	Push-Pull, Line Driver, Universal circuit
Power supply:	+5V±5%, +10V +30V,+5V +30V
Consumption:	50 mA max.
Output current (each channel):	40 mA max.
Protection:	against inversion of polarity and short-circuit
EMC:	electro-magnetic immunity, according to: EN 61000-4-2 EN 61000-4-4
Optoelectronic life:	100.000 hrs min.

MATERIALS

Flange:	anticorrosive, UNI EN AW-6082
Housing:	anticorrosive, UNI EN AW-6082
Bearings:	ABEC 5
Shaft:	stainless steel, non-magnetic, UNI EN 4305



128

128	-	XX ⓐ	-	XXXXX ⓑ	-	XXX ⓒ	-	XX ⓓ	-	X ⓔ	X ⓕ	-	X ⓖ	XXXX ⓗ	/Sxxx Ⓢ
-----	---	---------	---	------------	---	----------	---	---------	---	--------	--------	---	--------	-----------	------------

<p>ⓐ OUTPUT CIRCUITS / POWER SUPPLY Y2 = Push Pull, +10V÷ +30V L1 = Line Driver (RS422), +5V±5% H4 = PP/LD Universal circuit, +5V÷+30V</p> <p>ⓑ RESOLUTION (PPR) See electrical specifications</p>	<p>ⓒ OUTPUT SIGNALS BNF = AB BCU = AB, /AB ZNF = ABO ZCU = ABO, /ABO</p> <p>ⓓ SHAFT DIAMETER O4 = 4 mm O5 = 5 mm</p>	<p>ⓔ PROTECTION V = IP54</p> <p>ⓕ OPERATING TEMPERATURE T = -25°C +85°C (-13°F +185°F)</p> <p>ⓖ CONNECTION POSITION A = axial (standard) R = radial</p>	<p>ⓗ CABLE TYPE & LENGTH L010 = cable output 1 m (standard) L020 = cable output 2 m Lxx0 = cable output x m (max. length 10 m) M005 = 0,5 m cable + M12 8 pin inline plug M020 = 2 m cable + M12 8 pin inline plug</p> <p>Ⓢ CUSTOM VERSION</p>
--	--	--	---

Document release	Date	Description
1.1	June 2024	Output circuits/power supply (deleted L2 output)
1.0	October 2023	New order code